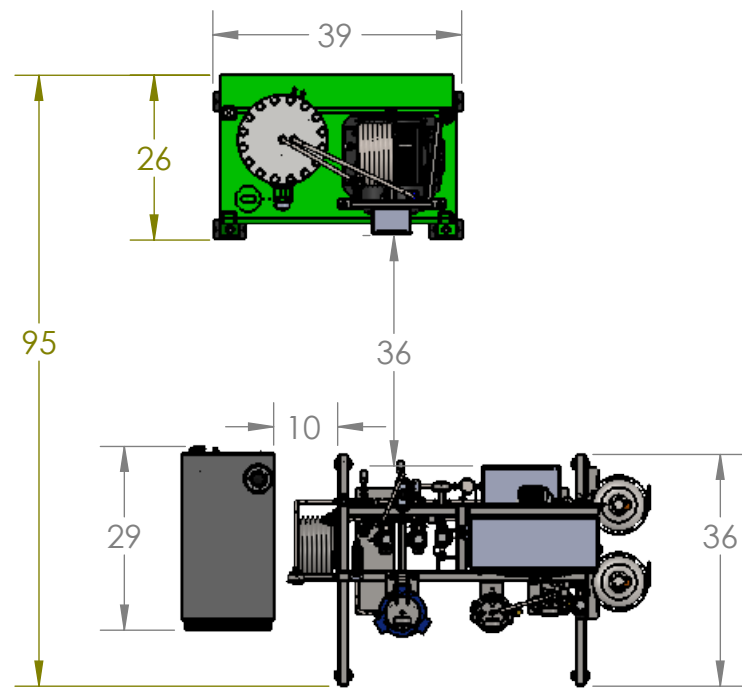


4

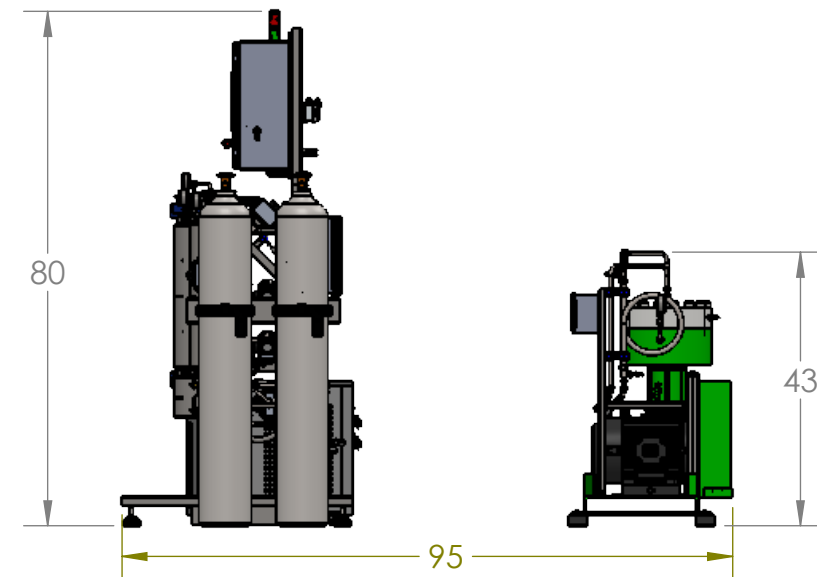
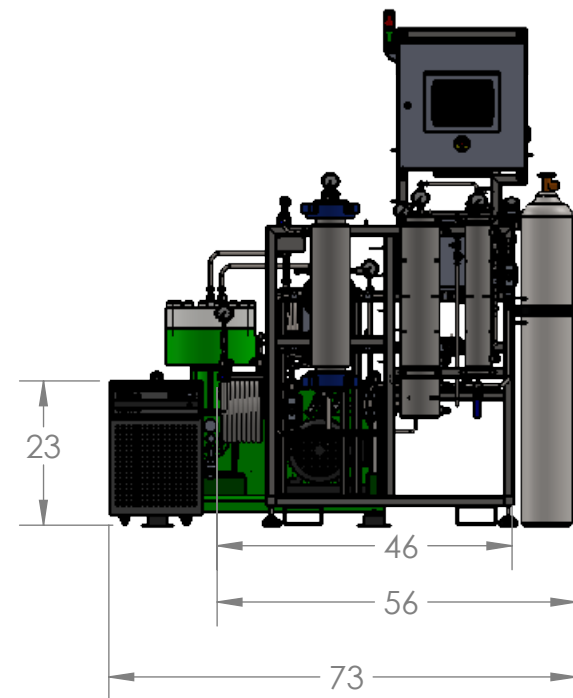
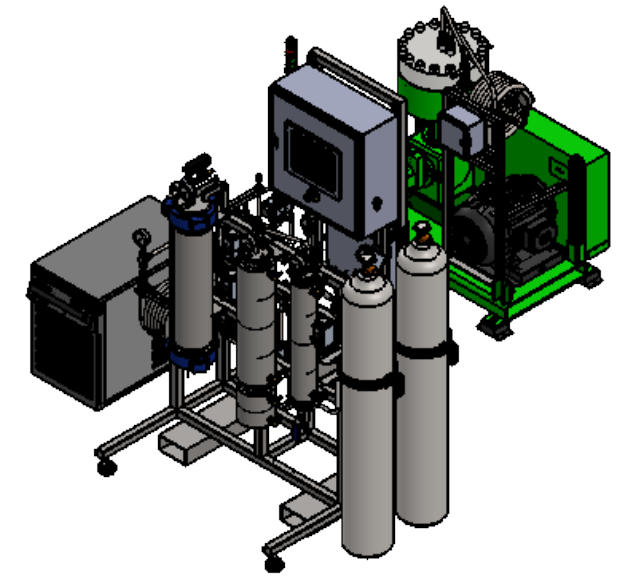
3

2

1



AMBIENT TEMPERATURE REQUIREMENTS: ROOM 60-80 F



B

B

A

A

CRATE	HT	WIDTH	LENGTH	WT (LBS)
EXTRACTOR	85	50	72	800
COMPRESSOR	70	47	83	2800
CHILLER	50	34	43	200

<p>31 GREENSCAPE CT, JOHNSTOWN, OH 43031 740-809-1160</p> <p>PROPRIETARY AND CONFIDENTIAL THE INFORMATION CONTAINED IN THIS DRAWING IS THE SOLE PROPERTY OF APEKS SUPERCRITICAL. ANY REPRODUCTION IN PART OR AS A WHOLE WITHOUT THE WRITTEN PERMISSION OF APEKS SUPERCRITICAL IS PROHIBITED.</p>	UNLESS OTHERWISE SPECIFIED:		NAME	DATE	APEKS SUPERCRITICAL TITLE: OVERALL DIMENSIONS SIZE B DWG. NO. BA_i2000-5L_01 REV A SCALE: 1:48 WEIGHT: SHEET 1 OF 2
	DIMENSIONS ARE IN INCHES	DRAWN	TCW	12/11/19	
	TOLERANCES:	CHECKED			
	FRACTIONAL ± 1/16	ENG APPR.			
	ONE PLACE DECIMAL ± 0.125	MFG APPR.			
TWO PLACE DECIMAL ± 0.0625	Q.A.				
THREE PLACE DECIMAL ± 0.005	COMMENTS:				
DEBURR AND BREAK SHARP EDGES	MATERIAL				
	FINISH				
	DO NOT SCALE DRAWING				

4

3

2

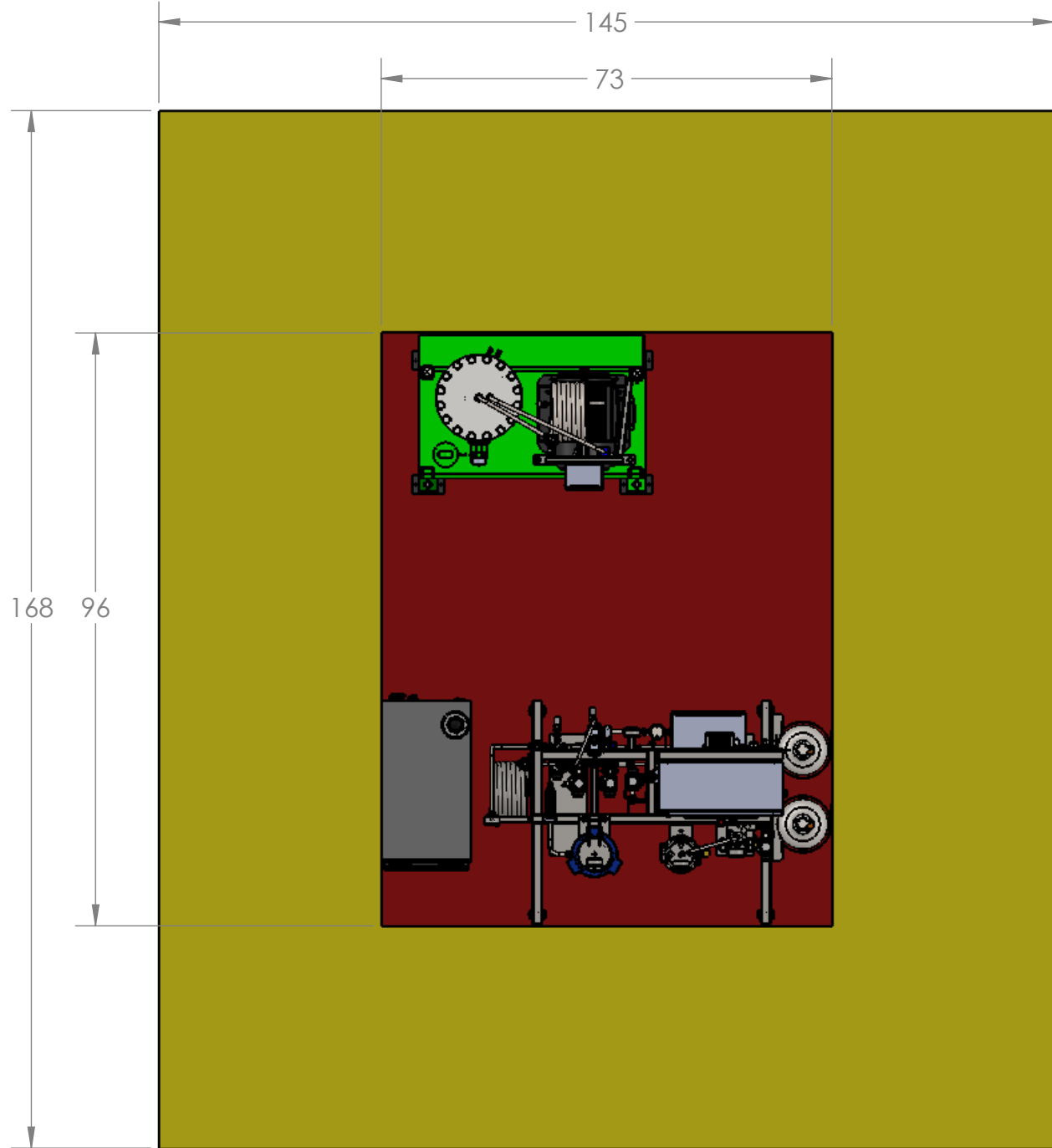
1

4

3

2

1



YELLOW SPACE IS 36"
CLEARANCE AROUND SYSTEM

B

B

A


A

4

3

2

1

 31 GREENSCAPE CT, JOHNSTOWN, OH 43031 740-809-1160 PROPRIETARY AND CONFIDENTIAL THE INFORMATION CONTAINED IN THIS DRAWING IS THE SOLE PROPERTY OF APEKS SUPERCRITICAL. ANY REPRODUCTION IN PART OR AS A WHOLE WITHOUT THE WRITTEN PERMISSION OF APEKS SUPERCRITICAL IS PROHIBITED.	UNLESS OTHERWISE SPECIFIED:	NAME	DATE	APEKS SUPERCRITICAL TITLE: FLOOR LAYOUT SIZE B DWG. NO. BA_i2000-5L_01 REV A SCALE: 1:48 WEIGHT: SHEET 2 OF 2	
	DIMENSIONS ARE IN INCHES TOLERANCES: FRACTIONAL ± 1/16 ONE PLACE DECIMAL ± 0.125 TWO PLACE DECIMAL ± 0.0625 THREE PLACE DECIMAL ± 0.005	DRAWN	TCW		12/11/19
	DEBURR AND BREAK SHARP EDGES	CHECKED			
	MATERIAL	ENG APPR.			
	FINISH	MFG APPR.			
DO NOT SCALE DRAWING	Q.A.				
	COMMENTS:				