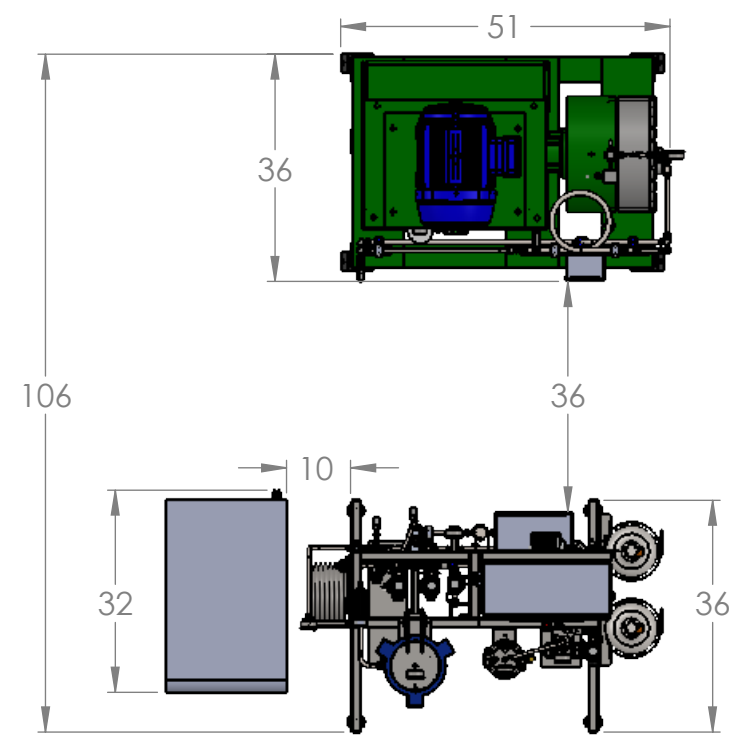


4

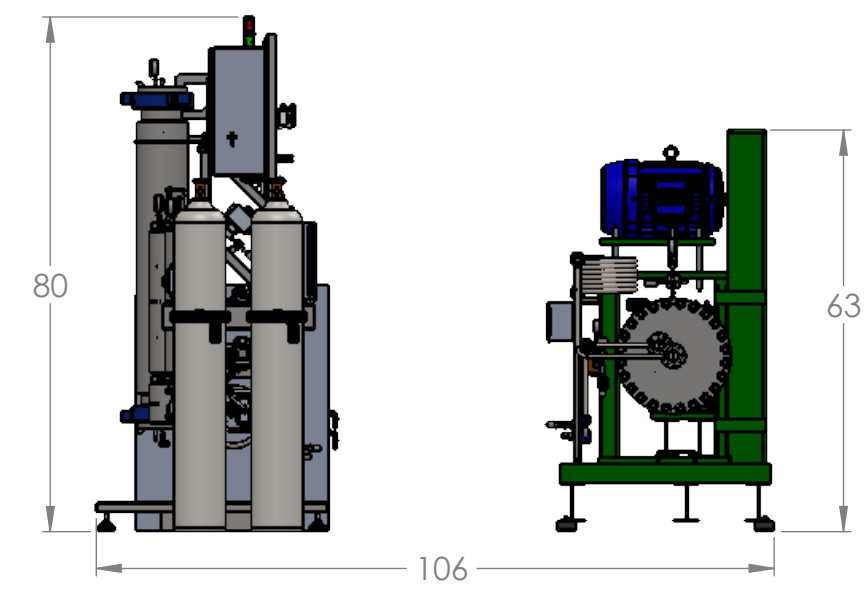
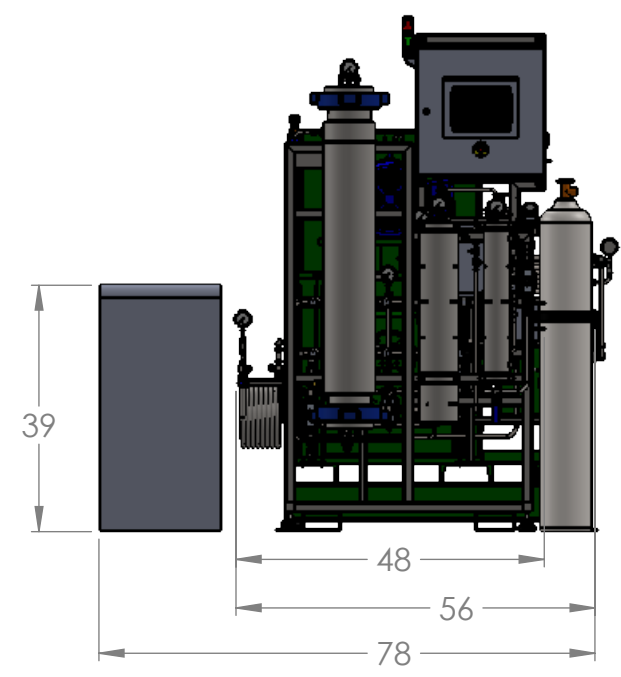
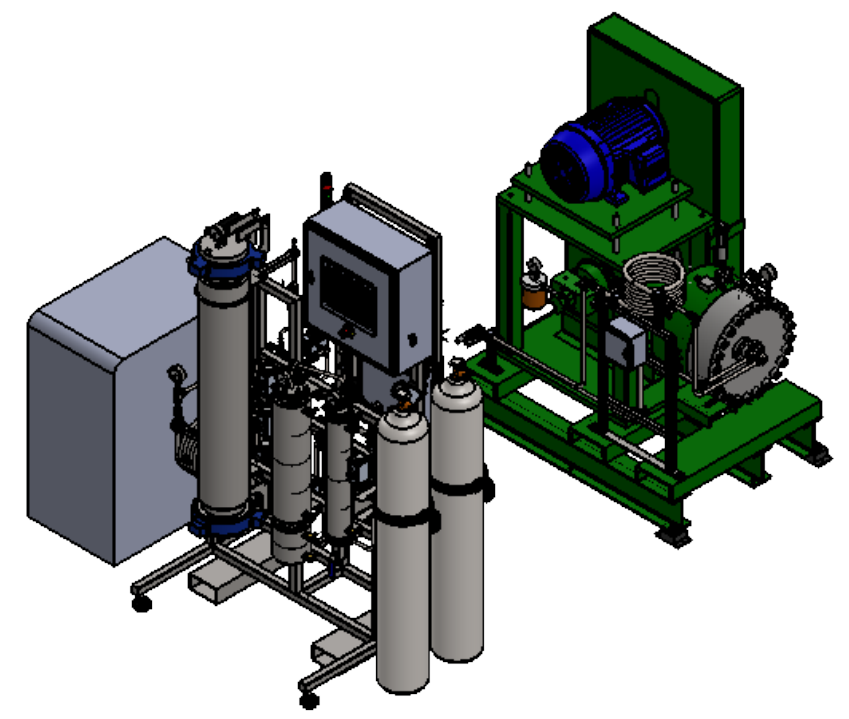
3

2

1



AMBIENT TEMPERATURE REQUIREMENTS: ROOM 60-80 F




B

B

A

A

CRATE	HT	WIDTH	LENGTH	WT (LBS)
EXTRACTOR	85	50	72	1000
COMPRESSOR	70	47	83	3200
CHILLER	50	34	43	400

 31 GREENSCAPE CT, JOHNSTOWN, OH 43031 740-809-1160  <b>PROPRIETARY AND CONFIDENTIAL</b> THE INFORMATION CONTAINED IN THIS DRAWING IS THE SOLE PROPERTY OF APEKS SUPERCRITICAL. ANY REPRODUCTION IN PART OR AS A WHOLE WITHOUT THE WRITTEN PERMISSION OF APEKS SUPERCRITICAL IS PROHIBITED.	UNLESS OTHERWISE SPECIFIED:		NAME	DATE	<b>APEKS SUPERCRITICAL</b> TITLE: <h1>OVERALL DIMENSIONS</h1> SIZE DWG. NO. REV <b>B</b> TR_20L_01 <b>A</b> SCALE: 1:50 WEIGHT: SHEET 1 OF 4
	DIMENSIONS ARE IN INCHES	DRAWN	TCW	11/22/19	
	TOLERANCES:	CHECKED			
	FRACTIONAL ± 1/16	ENG APPR.			
	ONE PLACE DECIMAL ± 0.125	MFG APPR.			
TWO PLACE DECIMAL ± 0.0625	Q.A.				
THREE PLACE DECIMAL ± 0.005	COMMENTS:				
DEBURR AND BREAK SHARP EDGES	MATERIAL				
	FINISH				
	DO NOT SCALE DRAWING				

4

3

2

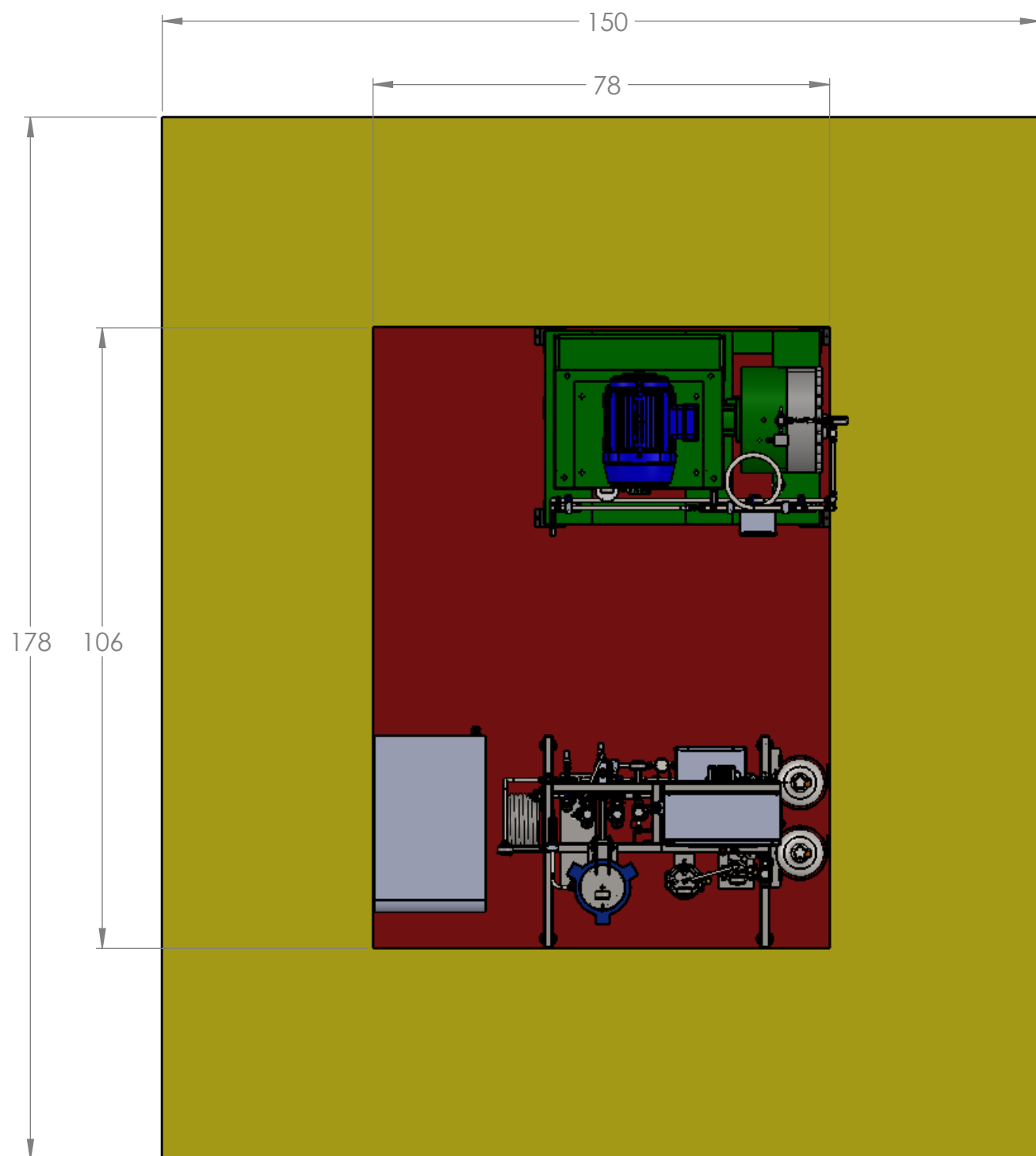
1

4

3

2

1



YELLOW SPACE IS 36"  
CLEARANCE AROUND SYSTEM

B

B

A


A

4

3

2

1

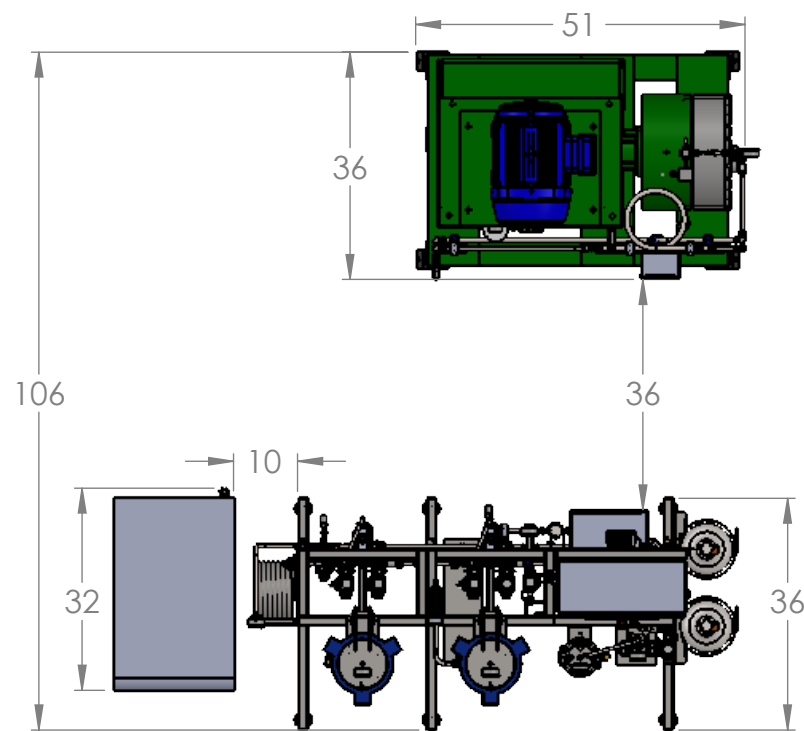
 31 GREENSCAPE CT, JOHNSTOWN, OH 43031 740-809-1160  <b>PROPRIETARY AND CONFIDENTIAL</b> THE INFORMATION CONTAINED IN THIS DRAWING IS THE SOLE PROPERTY OF APEKS SUPERCRITICAL. ANY REPRODUCTION IN PART OR AS A WHOLE WITHOUT THE WRITTEN PERMISSION OF APEKS SUPERCRITICAL IS PROHIBITED.	UNLESS OTHERWISE SPECIFIED:	NAME	DATE	<b>APEKS SUPERCRITICAL</b> TITLE: <b>FLOOR LAYOUT</b>  SIZE <b>B</b> DWG. NO. TR_20L_01 REV <b>A</b> SCALE: 1:100 WEIGHT: SHEET 2 OF 4	
	DIMENSIONS ARE IN INCHES TOLERANCES: FRACTIONAL ± 1/16 ONE PLACE DECIMAL ± 0.125 TWO PLACE DECIMAL ± 0.0625 THREE PLACE DECIMAL ± 0.005	DRAWN	TCW		11/22/19
	DEBURR AND BREAK SHARP EDGES	CHECKED			
	MATERIAL	ENG APPR.			
	FINISH	MFG APPR.			
DO NOT SCALE DRAWING	Q.A.				
	COMMENTS:				

4

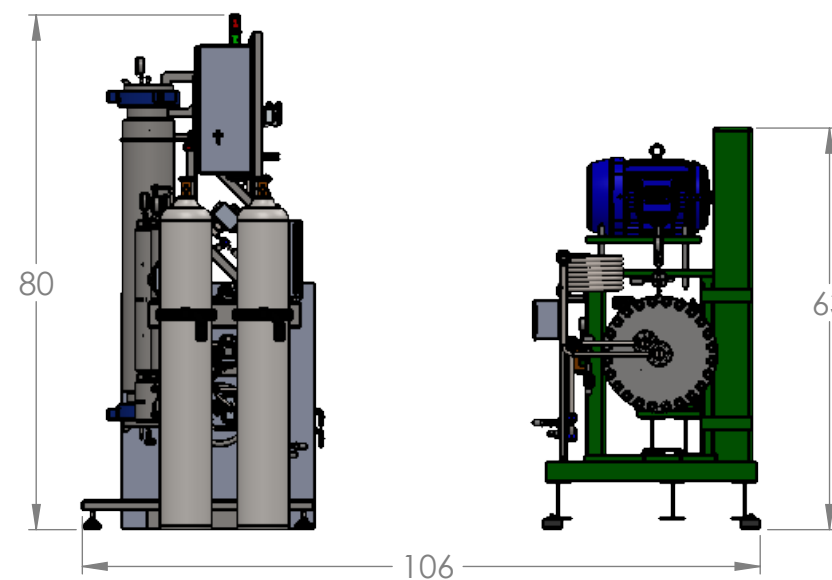
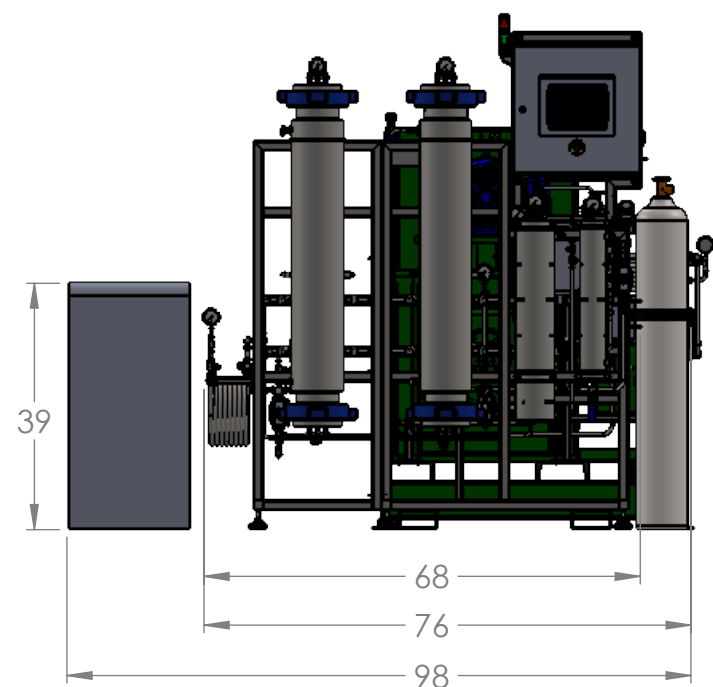
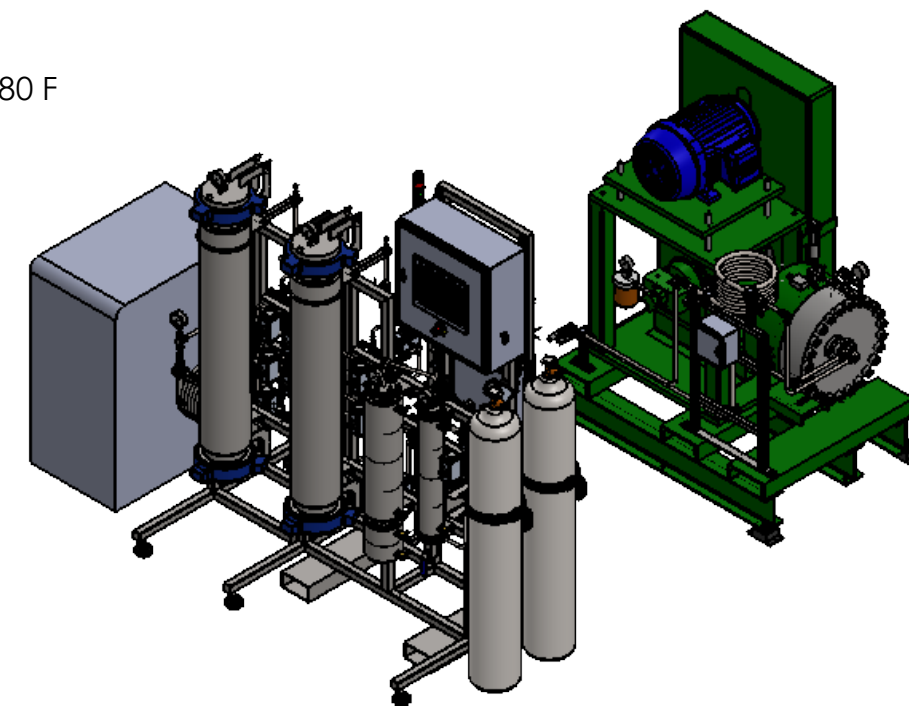
3

2

1



AMBIENT TEMPERATURE REQUIREMENTS: ROOM 60-80 F




B

B

A

A

CRATE	HT	WIDTH	LENGTH	WT (LBS)
EXTRACTOR	85	50	72	1500
COMPRESSOR	70	47	83	3200
CHILLER	50	34	43	400

 31 GREENSCAPE CT, JOHNSTOWN, OH 43031 740-809-1160  <b>PROPRIETARY AND CONFIDENTIAL</b> THE INFORMATION CONTAINED IN THIS DRAWING IS THE SOLE PROPERTY OF APEKS SUPERCRITICAL. ANY REPRODUCTION IN PART OR AS A WHOLE WITHOUT THE WRITTEN PERMISSION OF APEKS SUPERCRITICAL IS PROHIBITED.	UNLESS OTHERWISE SPECIFIED:	NAME	DATE	<b>APEKS SUPERCRITICAL</b> TITLE: <b>MOD OVERALL DIMENSIONS</b> SIZE DWG. NO. REV <b>B</b> TR_20L_01 <b>A</b> SCALE: 1:50 WEIGHT: SHEET 3 OF 4	
	DIMENSIONS ARE IN INCHES	DRAWN	TCW		11/22/19
	TOLERANCES: FRACTIONAL ± 1/16 ONE PLACE DECIMAL ± 0.125 TWO PLACE DECIMAL ± 0.0625 THREE PLACE DECIMAL ± 0.005	CHECKED			
	DEBURR AND BREAK SHARP EDGES	ENG APPR.			
	MATERIAL	MFG APPR.			
	FINISH	Q.A.			
	DO NOT SCALE DRAWING	COMMENTS:			

4

3

2

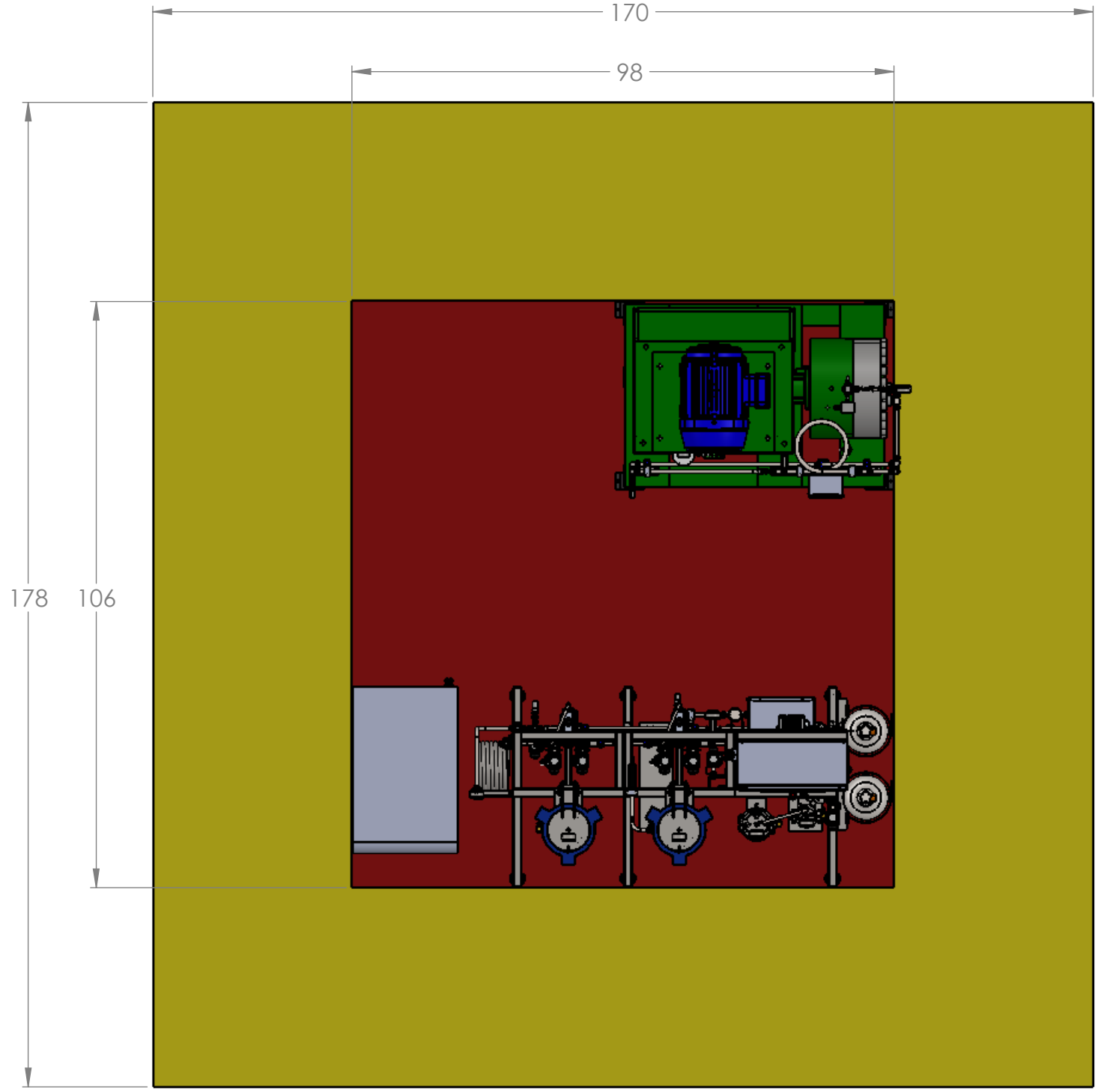
1

4

3

2

1



B

B

A


A

4

3

2

1

 <p>31 GREENSCAPE CT, JOHNSTOWN, OH 43031 740-809-1160</p> <p><b>PROPRIETARY AND CONFIDENTIAL</b> THE INFORMATION CONTAINED IN THIS DRAWING IS THE SOLE PROPERTY OF APEKS SUPERCRITICAL. ANY REPRODUCTION IN PART OR AS A WHOLE WITHOUT THE WRITTEN PERMISSION OF APEKS SUPERCRITICAL IS PROHIBITED.</p>	UNLESS OTHERWISE SPECIFIED:	NAME	DATE	<b>APEKS SUPERCRITICAL</b> TITLE: <b>MOD FLOOR LAYOUT</b>	
	DIMENSIONS ARE IN INCHES TOLERANCES: FRACTIONAL ± 1/16 ONE PLACE DECIMAL ± 0.125 TWO PLACE DECIMAL ± 0.0625 THREE PLACE DECIMAL ± 0.005	DRAWN	TCW		11/22/19
	DEBURR AND BREAK SHARP EDGES	CHECKED			
	MATERIAL	ENG APPR.			
FINISH	MFG APPR.			SIZE <b>B</b> DWG. NO. TR_20L_01 REV <b>A</b>	
DO NOT SCALE DRAWING	COMMENTS:			SCALE: 1:100 WEIGHT: SHEET 4 OF 4	