

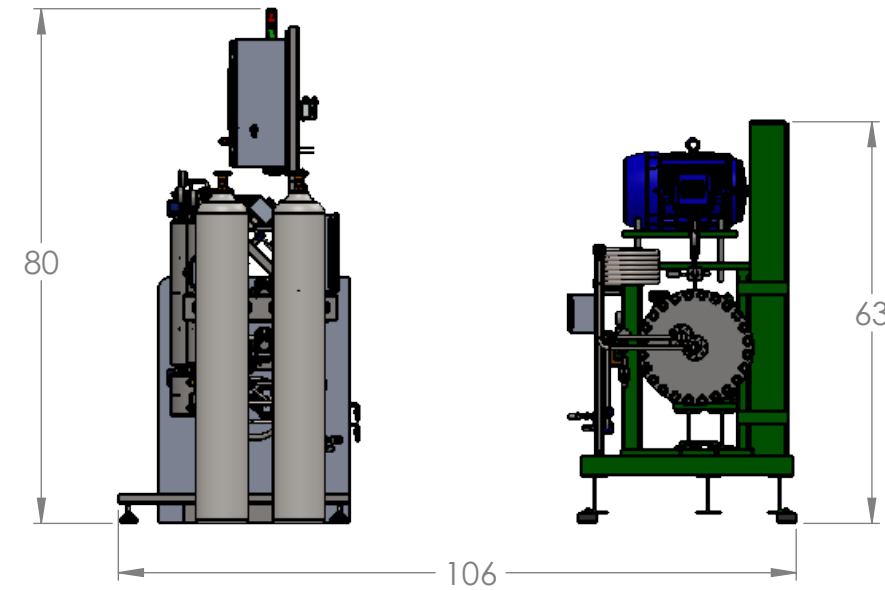
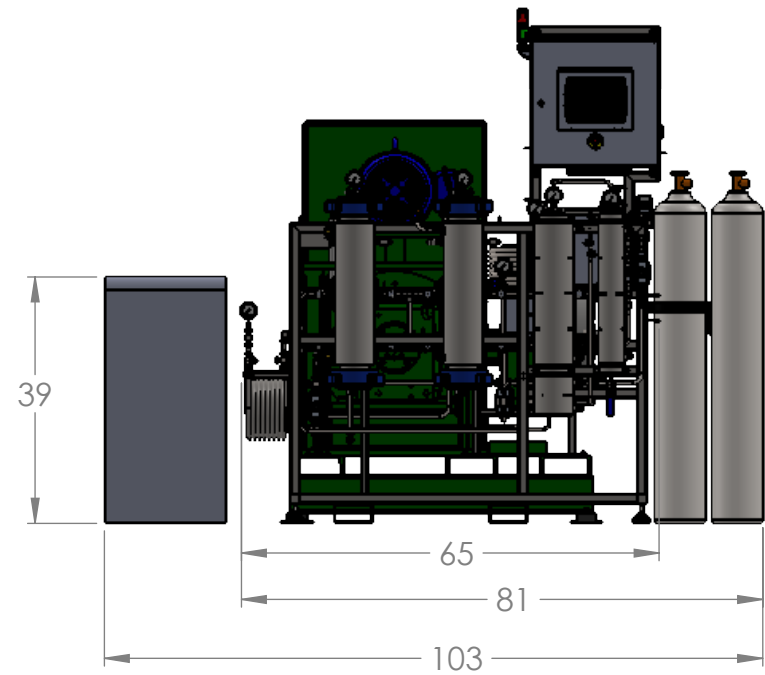
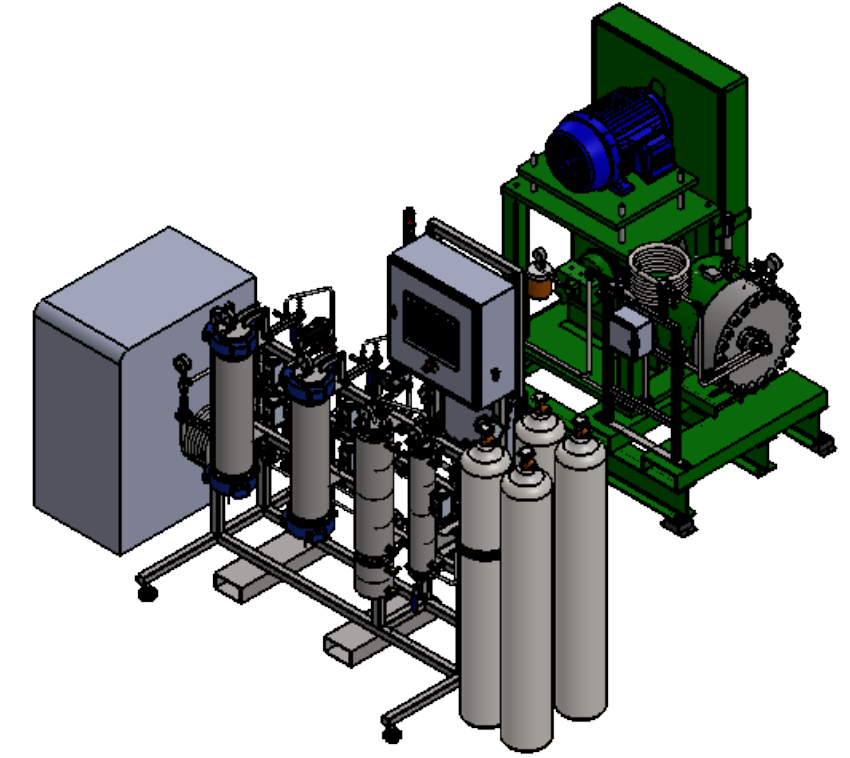
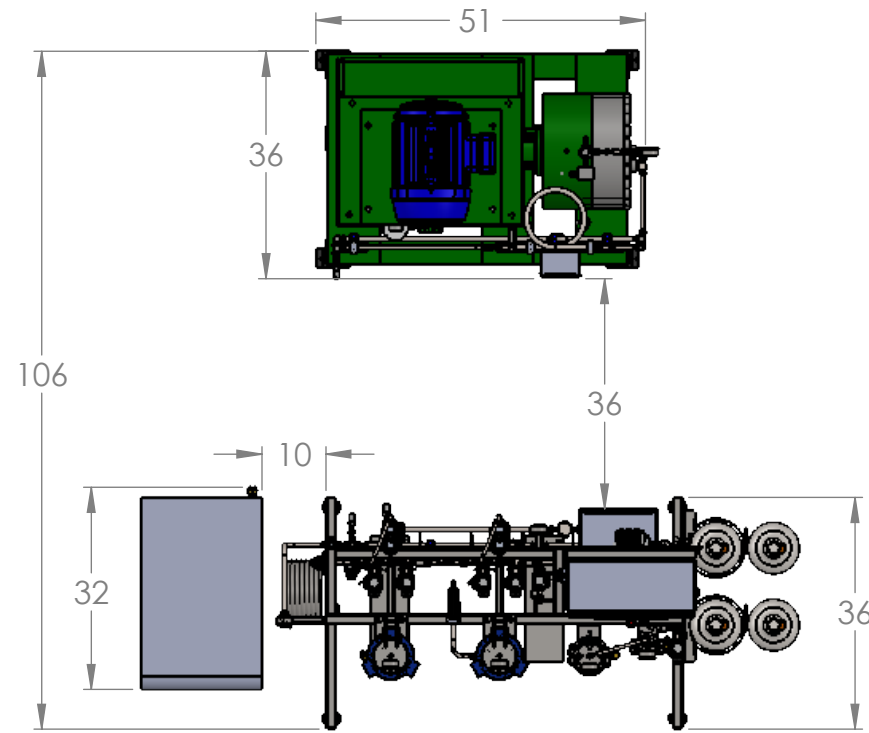
4

3

2

1

AMBIENT TEMPERATURE REQUIREMENTS: ROOM 60-80 F




B

B

A

A

CRATE	HT	WIDTH	LENGTH	WT (LBS)
EXTRACTOR	85	50	72	1000
COMPRESSOR	70	47	83	3200
CHILLER	50	34	43	400

 31 GREENSCAPE CT, JOHNSTOWN, OH 43031 740-809-1160 PROPRIETARY AND CONFIDENTIAL THE INFORMATION CONTAINED IN THIS DRAWING IS THE SOLE PROPERTY OF APEKS SUPERCRITICAL. ANY REPRODUCTION IN PART OR AS A WHOLE WITHOUT THE WRITTEN PERMISSION OF APEKS SUPERCRITICAL IS PROHIBITED.	UNLESS OTHERWISE SPECIFIED:	NAME	DATE	APEKS SUPERCRITICAL TITLE: <h1>OVERALL DIMENSIONS</h1> SIZE B DWG. NO. TR_5LX5L_01 REV A SCALE: 1:50 WEIGHT: SHEET 1 OF 2	
	DIMENSIONS ARE IN INCHES	DRAWN	TCW		11/22/19
	TOLERANCES:	CHECKED			
	FRACTIONAL ± 1/16	ENG APPR.			
	ONE PLACE DECIMAL ± 0.125	MFG APPR.			
TWO PLACE DECIMAL ± 0.0625	Q.A.				
THREE PLACE DECIMAL ± 0.005	COMMENTS:				
DEBURR AND BREAK SHARP EDGES					
MATERIAL					
FINISH					
DO NOT SCALE DRAWING					

4

3

2

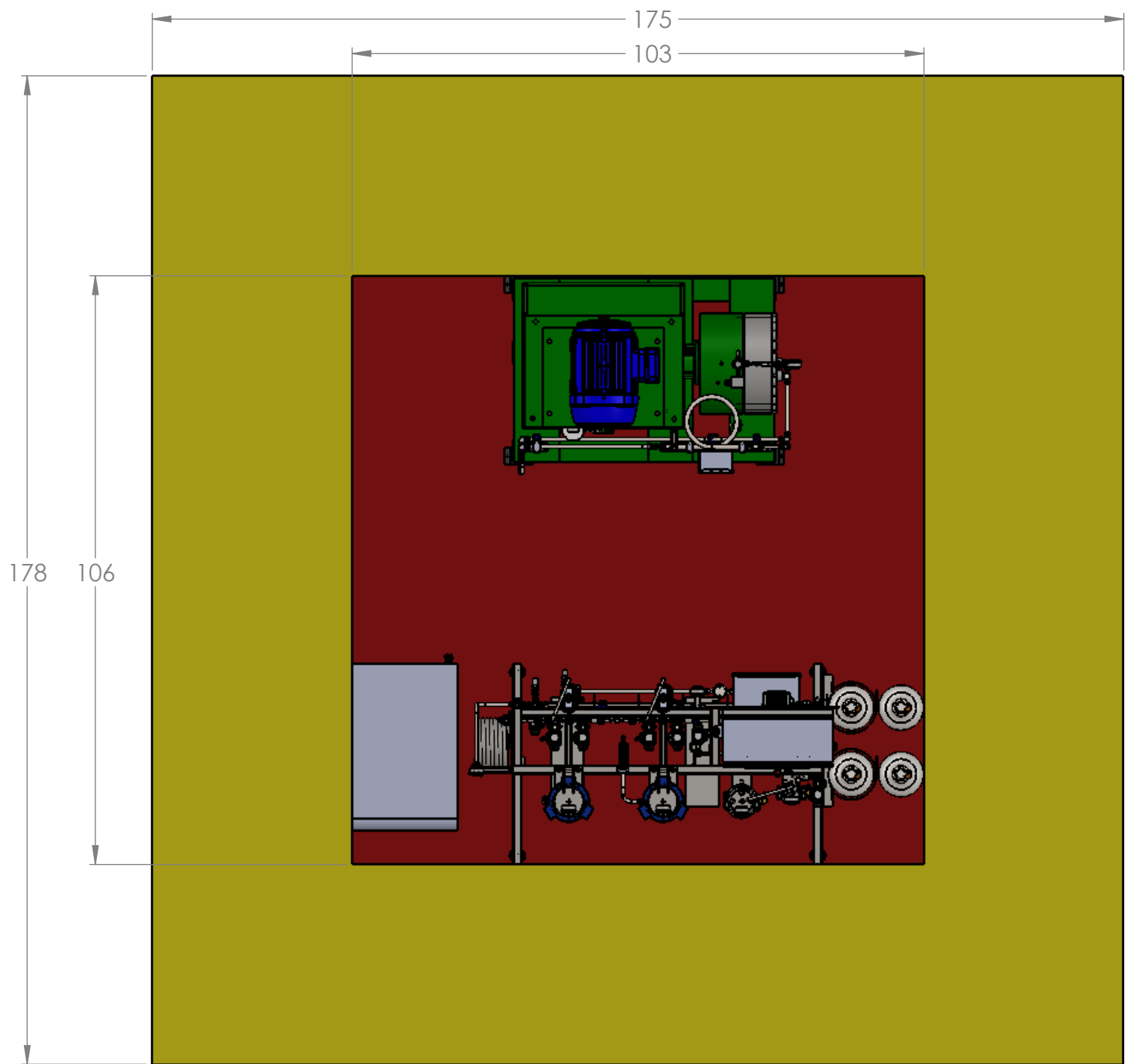
1

4

3

2

1



YELLOW SPACE IS 36"
CLEARANCE AROUND SYSTEM

B

B

A


A

4

3

2

1

 31 GREENSCAPE CT, JOHNSTOWN, OH 43031 740-809-1160 PROPRIETARY AND CONFIDENTIAL THE INFORMATION CONTAINED IN THIS DRAWING IS THE SOLE PROPERTY OF APEKS SUPERCRITICAL. ANY REPRODUCTION IN PART OR AS A WHOLE WITHOUT THE WRITTEN PERMISSION OF APEKS SUPERCRITICAL IS PROHIBITED.	UNLESS OTHERWISE SPECIFIED:	NAME	DATE	APEKS SUPERCRITICAL TITLE: FLOOR LAYOUT SIZE B DWG. NO. TR_5LX5L_01 REV A SCALE: 1:100 WEIGHT: SHEET 2 OF 2	
	DIMENSIONS ARE IN INCHES TOLERANCES: FRACTIONAL ± 1/16 ONE PLACE DECIMAL ± 0.125 TWO PLACE DECIMAL ± 0.0625 THREE PLACE DECIMAL ± 0.005	DRAWN	TCW		11/22/19
	DEBURR AND BREAK SHARP EDGES	CHECKED			
	MATERIAL	ENG APPR.			
	FINISH	MFG APPR.			
DO NOT SCALE DRAWING	Q.A.				
	COMMENTS:				