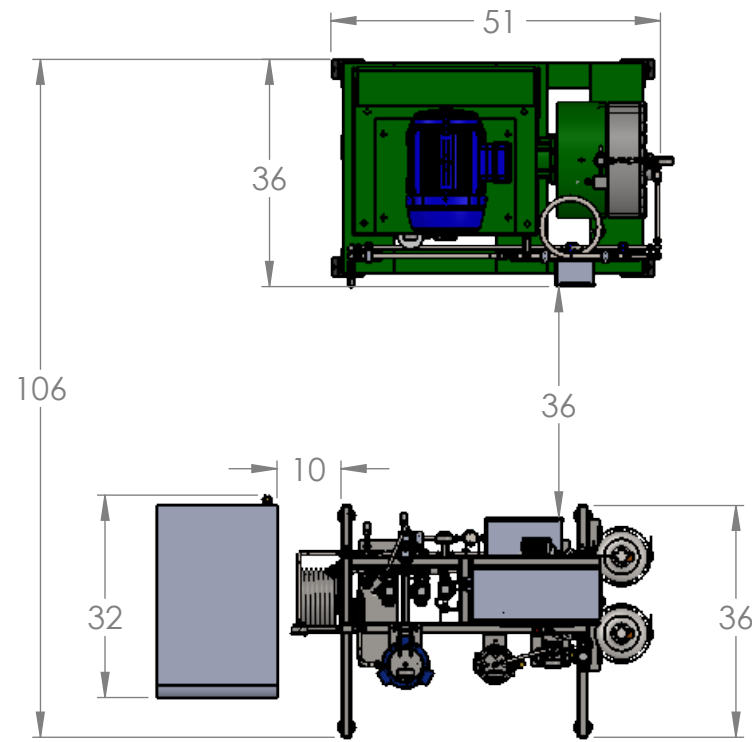


4

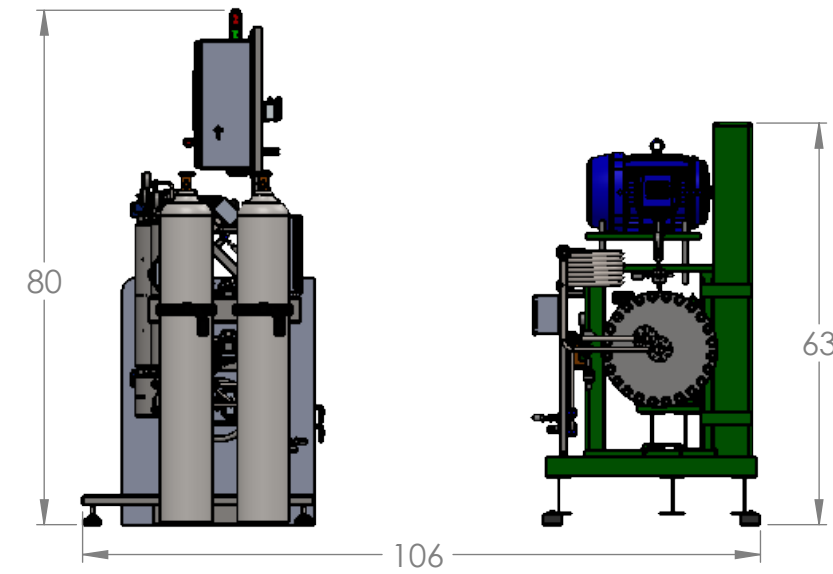
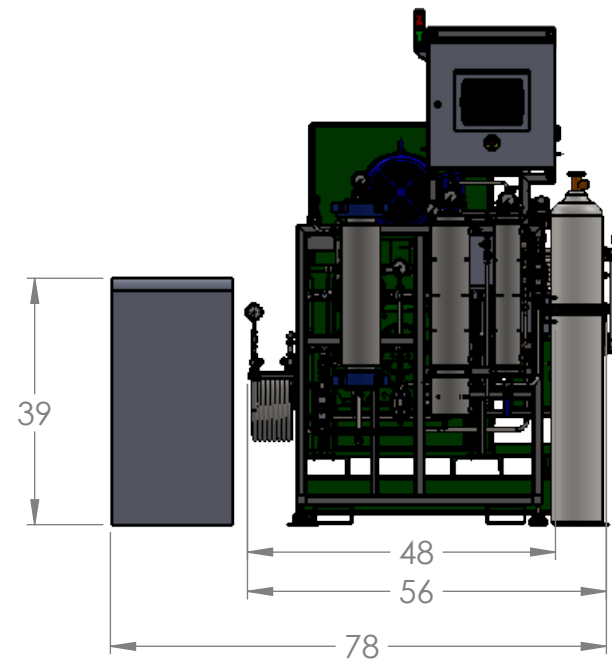
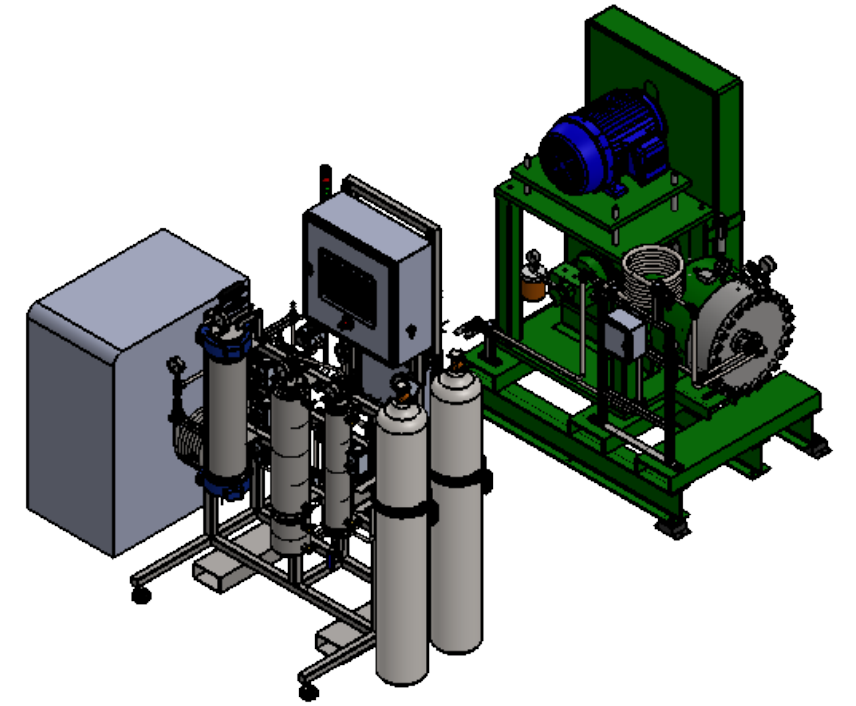
3

2

1



AMBIENT TEMPERATURE REQUIREMENTS: ROOM 60-80 F



B

B

A

A

CRATE	HT	WIDTH	LENGTH	WT (LBS)
EXTRACTOR	85	50	72	800
COMPRESSOR	70	47	83	3200
CHILLER	50	34	43	400

<p>31 GREENSCAPE CT, JOHNSTOWN, OH 43031 740-809-1160</p> <p>PROPRIETARY AND CONFIDENTIAL THE INFORMATION CONTAINED IN THIS DRAWING IS THE SOLE PROPERTY OF APEKS SUPERCRITICAL. ANY REPRODUCTION IN PART OR AS A WHOLE WITHOUT THE WRITTEN PERMISSION OF APEKS SUPERCRITICAL IS PROHIBITED.</p>	UNLESS OTHERWISE SPECIFIED:	NAME	DATE	APEKS SUPERCRITICAL TITLE: <h1>OVERALL DIMENSIONS</h1>	
	DIMENSIONS ARE IN INCHES	DRAWN	TCW		11/22/19
	TOLERANCES:	CHECKED			
	FRACTIONAL ± 1/16	ENG APPR.			
ONE PLACE DECIMAL ± 0.125	MFG APPR.				
TWO PLACE DECIMAL ± 0.0625	Q.A.				
THREE PLACE DECIMAL ± 0.005	COMMENTS:				
DEBURR AND BREAK SHARP EDGES	MATERIAL				
	FINISH				
	DO NOT SCALE DRAWING				
	SIZE	DWG. NO.	REV		
	B	TR_5L_01	A		
	SCALE: 1:50	WEIGHT:	SHEET 1 OF 4		

4

3

2

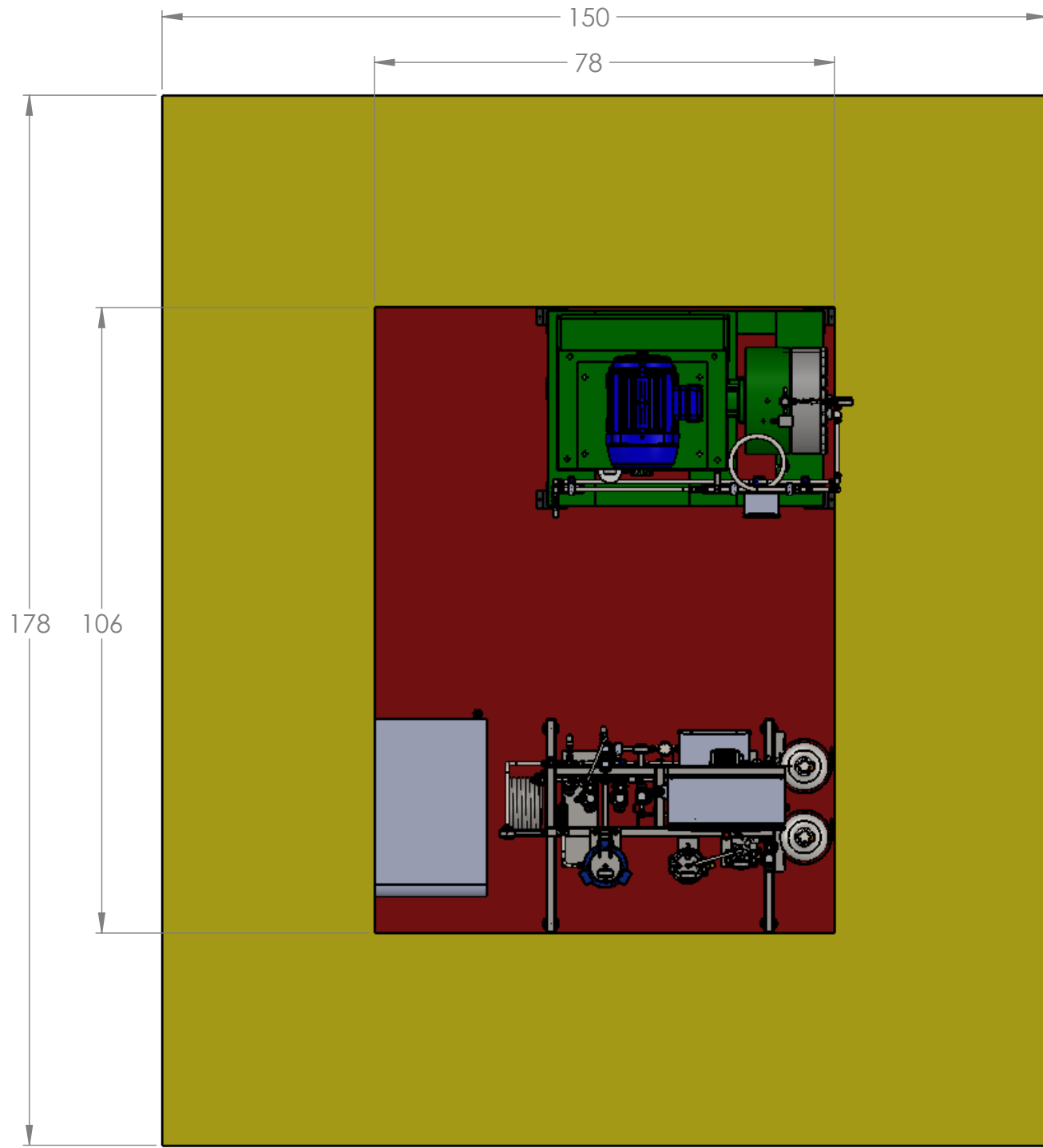
1

4

3

2

1



YELLOW SPACE IS 36" CLEARANCE AROUND SYSTEM

B

B

A


A

4

3

2

1

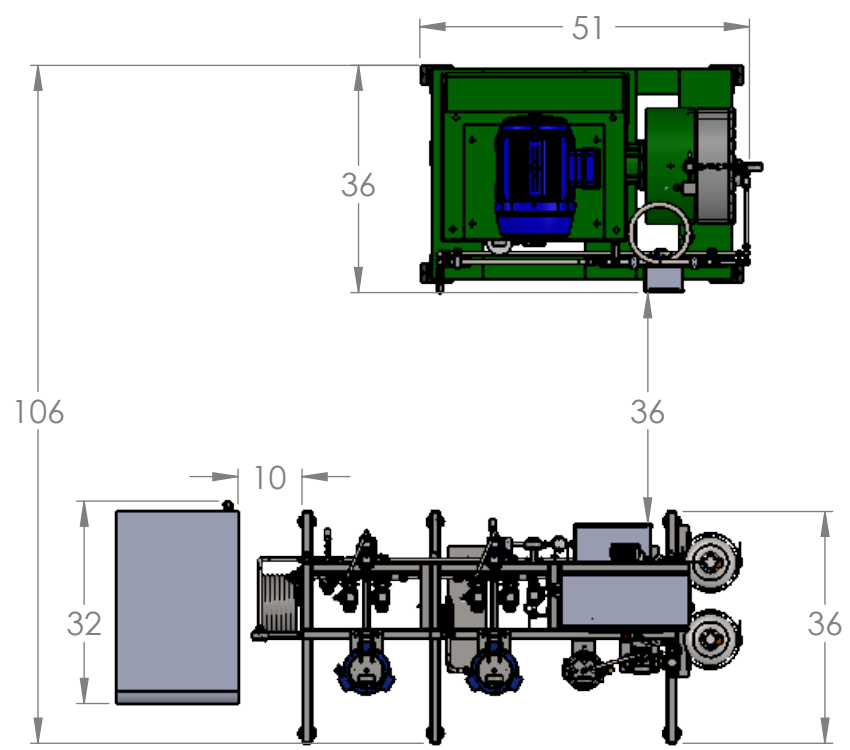
 31 GREENSCAPE CT, JOHNSTOWN, OH 43031 740-809-1160 PROPRIETARY AND CONFIDENTIAL THE INFORMATION CONTAINED IN THIS DRAWING IS THE SOLE PROPERTY OF APEKS SUPERCRITICAL. ANY REPRODUCTION IN PART OR AS A WHOLE WITHOUT THE WRITTEN PERMISSION OF APEKS SUPERCRITICAL IS PROHIBITED.	UNLESS OTHERWISE SPECIFIED:	NAME	DATE	APEKS SUPERCRITICAL TITLE: FLOOR LAYOUT SIZE B DWG. NO. TR_5L_01 REV A SCALE: 1:100 WEIGHT: SHEET 2 OF 4	
	DIMENSIONS ARE IN INCHES TOLERANCES: FRACTIONAL ± 1/16 ONE PLACE DECIMAL ± 0.125 TWO PLACE DECIMAL ± 0.0625 THREE PLACE DECIMAL ± 0.005	DRAWN	TCW		11/22/19
	DEBURR AND BREAK SHARP EDGES	CHECKED			
	MATERIAL	ENG APPR.			
	FINISH	MFG APPR.			
DO NOT SCALE DRAWING	Q.A.				
	COMMENTS:				

4

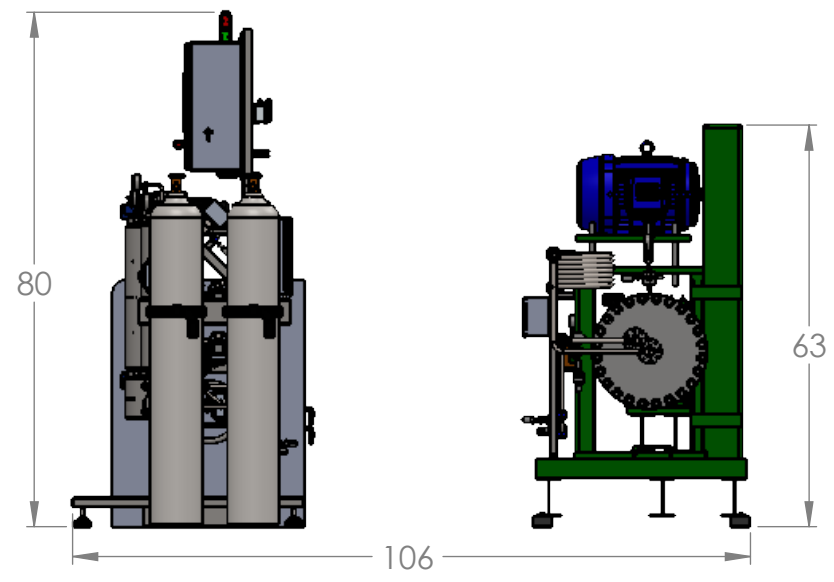
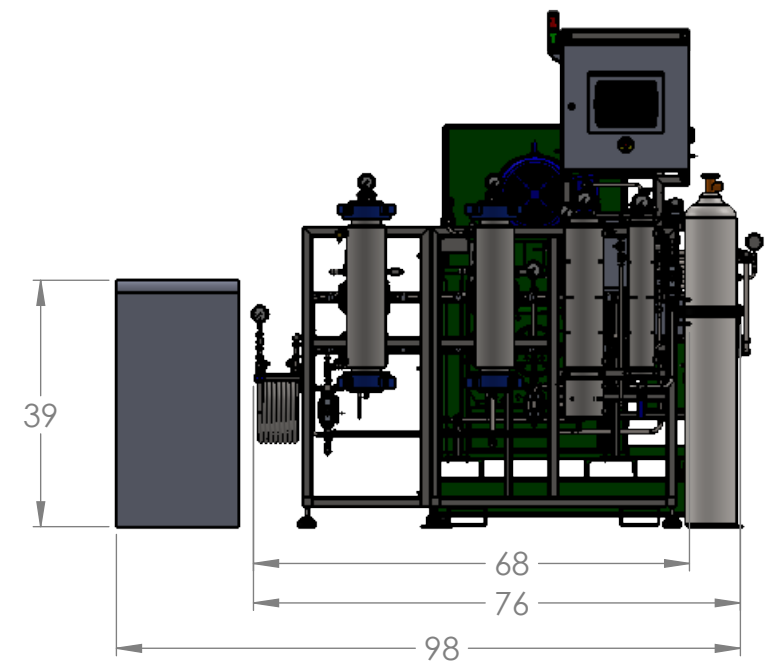
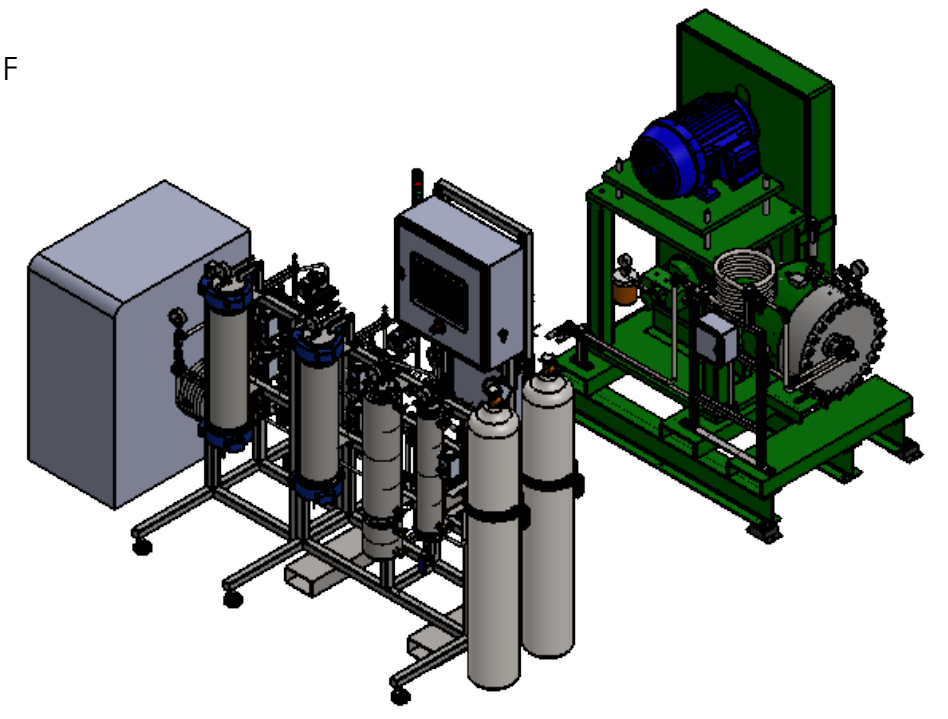
3

2

1



AMBIENT TEMPERATURE REQUIREMENTS: ROOM 60-80 F




B

B

A

A

CRATE	HT	WIDTH	LENGTH	WT (LBS)
EXTRACTOR	85	50	72	1300
COMPRESSOR	70	47	83	3200
CHILLER	50	34	43	400

 31 GREENSCAPE CT, JOHNSTOWN, OH 43031 740-809-1160 PROPRIETARY AND CONFIDENTIAL THE INFORMATION CONTAINED IN THIS DRAWING IS THE SOLE PROPERTY OF APEKS SUPERCRITICAL. ANY REPRODUCTION IN PART OR AS A WHOLE WITHOUT THE WRITTEN PERMISSION OF APEKS SUPERCRITICAL IS PROHIBITED.	UNLESS OTHERWISE SPECIFIED:		NAME	DATE	APEKS SUPERCRITICAL TITLE: MOD OVERALL DIMENSIONS SIZE DWG. NO. REV B TR_5L_01 A SCALE: 1:50 WEIGHT: SHEET 3 OF 4
	DIMENSIONS ARE IN INCHES	DRAWN	TCW	11/22/19	
	TOLERANCES:	CHECKED			
	FRACTIONAL ± 1/16	ENG APPR.			
	ONE PLACE DECIMAL ± 0.125	MFG APPR.			
TWO PLACE DECIMAL ± 0.0625	Q.A.				
THREE PLACE DECIMAL ± 0.005	COMMENTS:				
DEBURR AND BREAK SHARP EDGES					
MATERIAL					
FINISH					
DO NOT SCALE DRAWING					

4

3

2

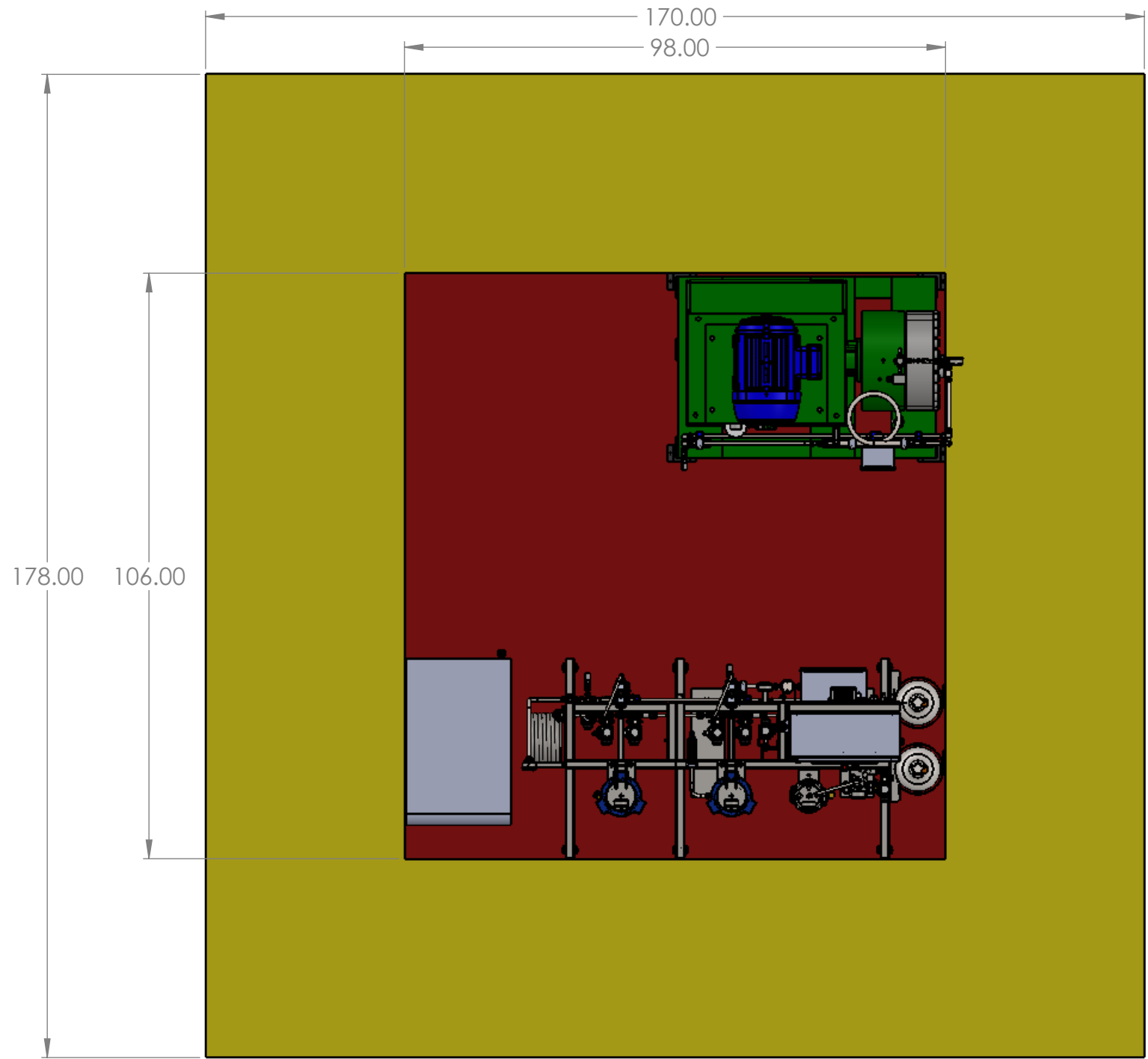
1

4

3

2

1




YELLOW SPACE IS 36"
CLEARANCE AROUND SYSTEM

B

B

A

A

 31 GREENSCAPE CT, JOHNSTOWN, OH 43031 740-809-1160 PROPRIETARY AND CONFIDENTIAL THE INFORMATION CONTAINED IN THIS DRAWING IS THE SOLE PROPERTY OF APEKS SUPERCRITICAL. ANY REPRODUCTION IN PART OR AS A WHOLE WITHOUT THE WRITTEN PERMISSION OF APEKS SUPERCRITICAL IS PROHIBITED.	UNLESS OTHERWISE SPECIFIED:		NAME	DATE	APEKS SUPERCRITICAL TITLE: <h2>MOD FLOOR LAYOUT</h2>	
	DIMENSIONS ARE IN INCHES TOLERANCES: FRACTIONAL ± 1/16 ONE PLACE DECIMAL ± 0.125 TWO PLACE DECIMAL ± 0.0625 THREE PLACE DECIMAL ± 0.005		DRAWN	TCW		11/22/19
	DEBURR AND BREAK SHARP EDGES		CHECKED			
	MATERIAL		ENG APPR.			
FINISH		MFG APPR.			SIZE B DWG. NO. TR_5L_01 REV A	
DO NOT SCALE DRAWING		Q.A.				
			COMMENTS:		SCALE: 1:100 WEIGHT:	
					SHEET 4 OF 4	

4

3

2

1